



# CTRL UL101 TROUBLESHOOTER

*Designed for a wide variety of applications.  
The most comprehensive tool on the market.*



## More than a leak detector.

The CTRL UL101 Troubleshooter includes all of the attachments of the UL101 Leak Detector and more.

## Superior sound clarity.

Easily distinguish the different sounds produced by motor bearings in different conditions such as under lubrication, over lubrication, and excessive wear.

## Instantaneous.

Compare one bearing to another, or upgrade to the Condition Based Monitoring System and subscribe to InCTRL for baseline comparison.

## APPLICATIONS

leak detection | pressure leaks | motors | cylinders | bearings | electrical arcing | seals | non-pressurized vessels | substations | mechanical equipment | transformers | vacuum leaks | valves | hatches | gears | electrical panels | windows | solenoids

## TROUBLESHOOTING

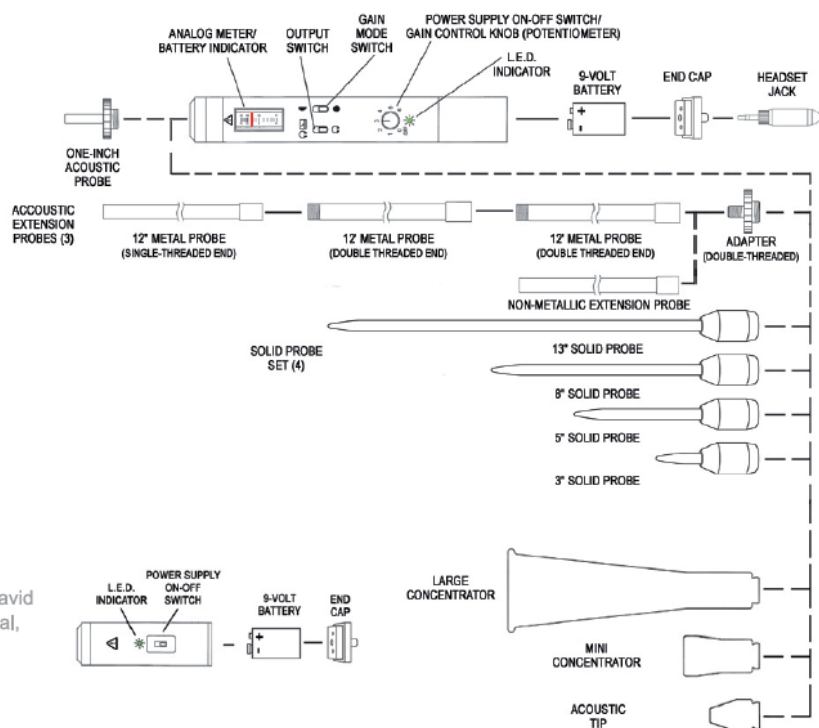
The CTRL UL101 Troubleshooter converts ultrasound signals produced by industrial machinery and vehicles into easily recognizable audible sounds so the user can evaluate the condition of individual components, even in extremely noisy plant environments. The CTRL UL101 is used worldwide for predictive maintenance, quality control, and for leak detection.

## FEATURES

- Fixed Frequency
- High Sensitivity to all turbulent flow air, gas, or vacuum leaks
- Easily adjustable sensitivity and gain
- Lightweight, one-handed operation
- Converts ultrasound to easily recognizable audible sounds

# UL101 Troubleshooter Specifications

Receiver / Transmitter Dimensions	8.75" x 1.26" x 1.26" (222 x 32 x 32 mm) 4.125" x 1.26" x 1.26" (105 x 32 x 32 mm)
Receiver / Transmitter Weight	11.6 oz (330 g) 6.2 oz (175 g)
Kit Shipping Dimensions	17" x 8" x 14" (43 x 20 x 35 cm)
Kit Shipping Weight	10 lbs (4.5 kg)
Housing	Extruded Aluminum, wall thickness .09" (2.3 mm)
Battery	9-Volt Alkaline (> 45 continuous hours use)
Distance of Reception	Up to 150 feet (45 m)
Sensitivity Threshold	Minimum Intensity: $10^{-12}$ W/m <sup>2</sup> (0 dB SPL) Minimum Ultrasonic Pressure: $2.0 \times 10^{-5}$ PA @ 40 kHz
Frequency Bandwidth	1.8 - 2.2 kHz @ level 0.7 (or -3 dB SPL)
Working Resonance Frequency	40 kHz +/- 1.5 kHz
Operating Temperature Range	-4° to +130° F (-20° to +54° C)
Headset	Industrial Grade/600-Ohm Impedance 21-24 dB External Noise Attenuation Over or Behind-the-Head (for use with hard hat)
Warranty	5-year parts & labor on all manufacturer's defects. No calibration required. Requalification of performance (once per year)
Intrinsically Safe (optional upgrade)	ANSI /UL 91 3-88, for DIVISION 1, CLASS I, Groups A, B, C and D, CLASS II, Groups E, F, G and CLASS III It also complies with DIVISION 2, CLASS I, Groups A, B, C and D, CLASS II , Groups F, G, and CLASS III



Not Pictured: Carrying Case, David Clark Headset, Operator's Manual, Training CD